

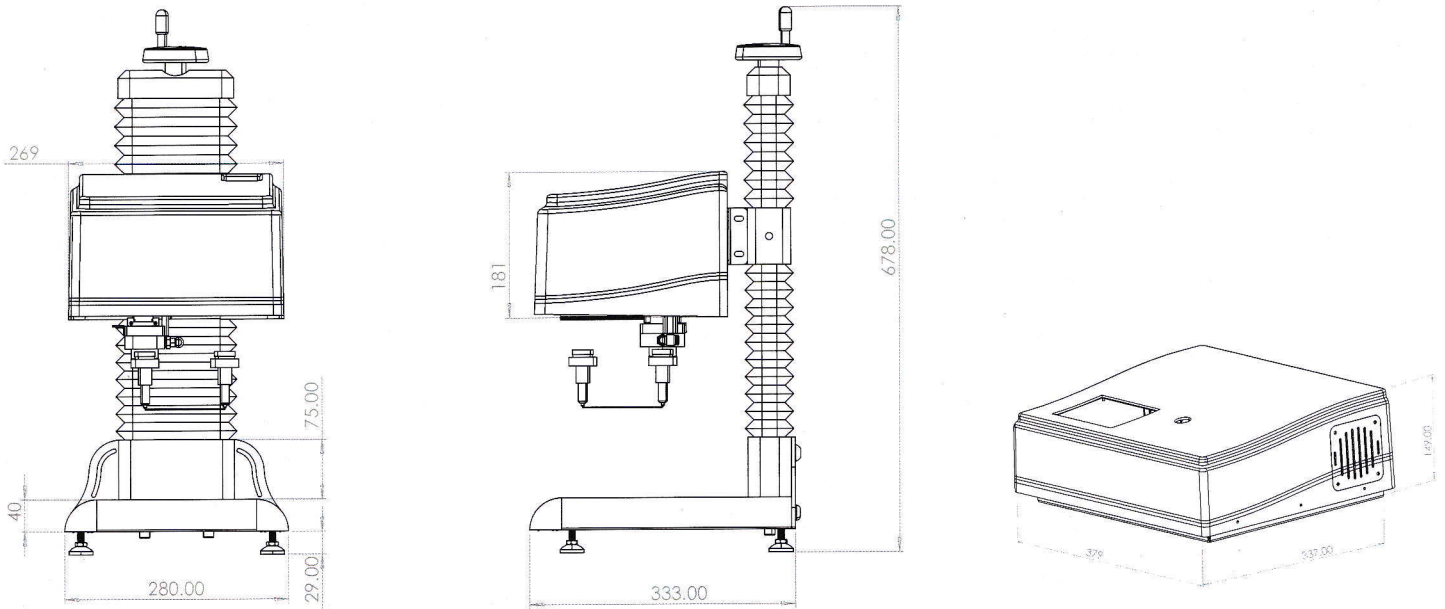
BE
SMART
TO
MARK

SM 2200

- Single Marking System for All Requirements
- Speedy & Effective Marking
- Standalone or Integrated Option
- Text, logo & 2d Datamatrix Marking
- Flexible Marking Area



- Easy to Use
- Tcp/IP Connectivity
- Extensive Range of 10 Input
10 Output & Can be Extentable
- Backup & Logo Facility
Available Through USB Support
- Built In Markware® Adv



Technical Specifications

- Electrical Supply: 240v 50Hz, 110v 60Hz
- Marking Area: 100mmX100mm (Optional - 150mm X 100mm
200mm X 100mm, 300mm X 150mm)
- Memory Capacity: Up to 1350 inscription Layouts.
- Stylus: 4mm x 70mm (Optional - 4mm X 112mm, 4mm X 150mm
4mm X 200mm)
- Controller: Embedded LCD Type
- Keyboard: PS2 type
- X, Y Axis Control: Stepper motor driven
- Start /Stop Box: Twin Button on manual
- Marking Format: Dot matrix 5 x7, 7 x 9, Varidot, 2D Data Matrix coding

America Europe India South east Asia



smartmark.

www.smartmarkingsolutions.com

TOLL FREE 1800 209 5050